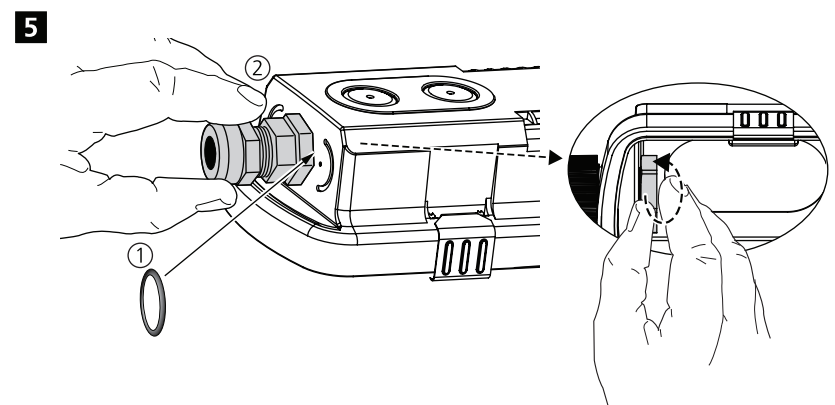
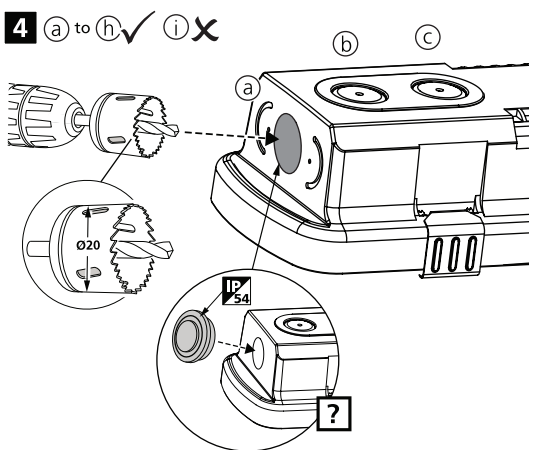
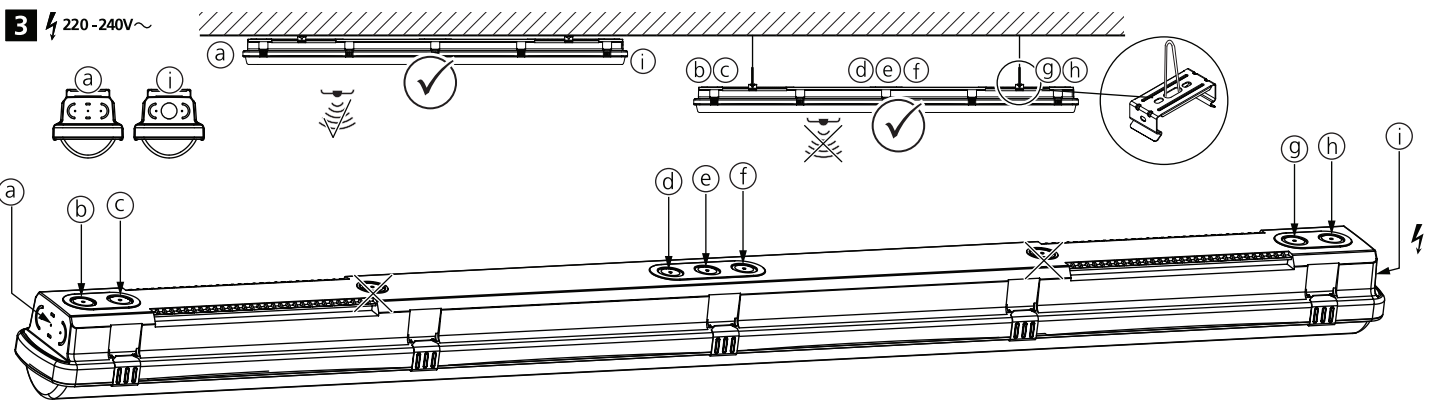
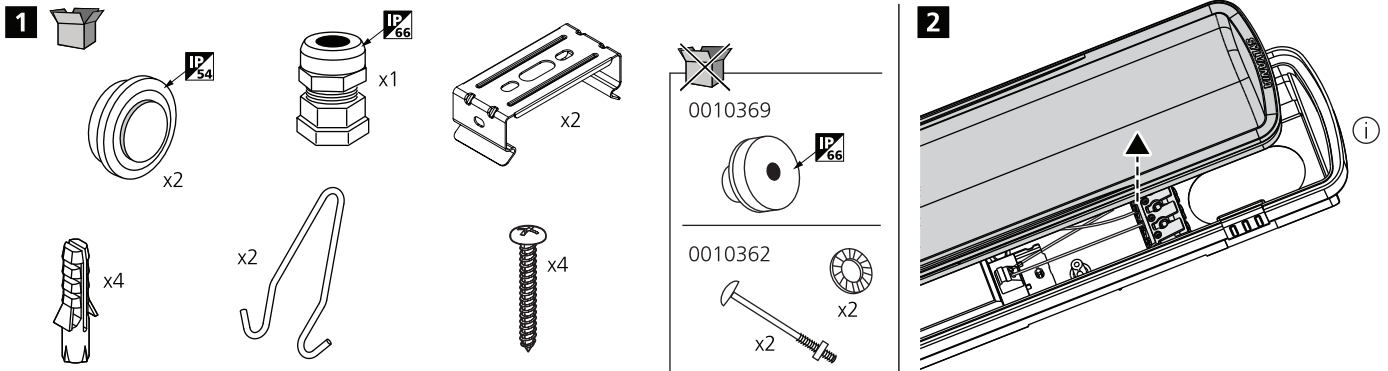
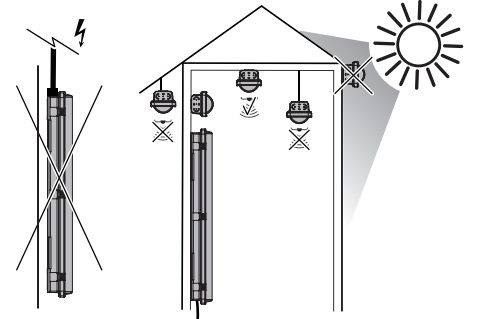
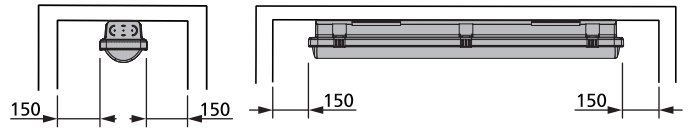
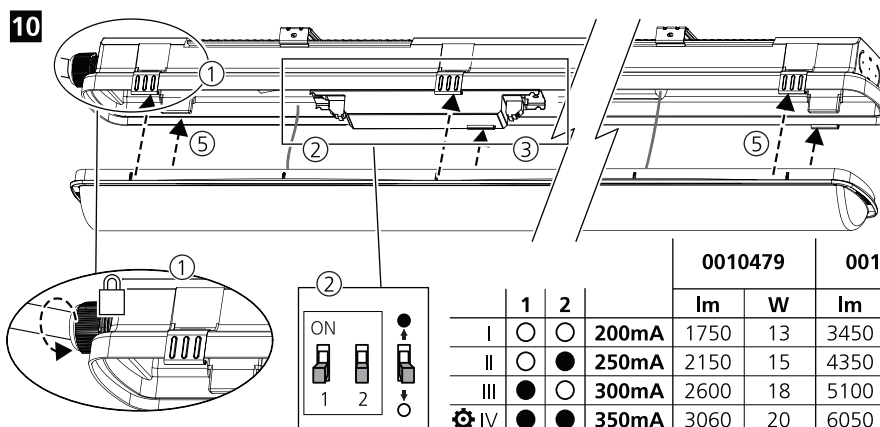
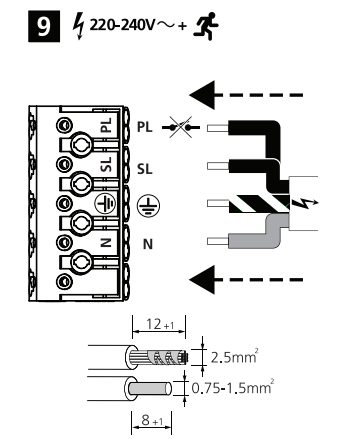
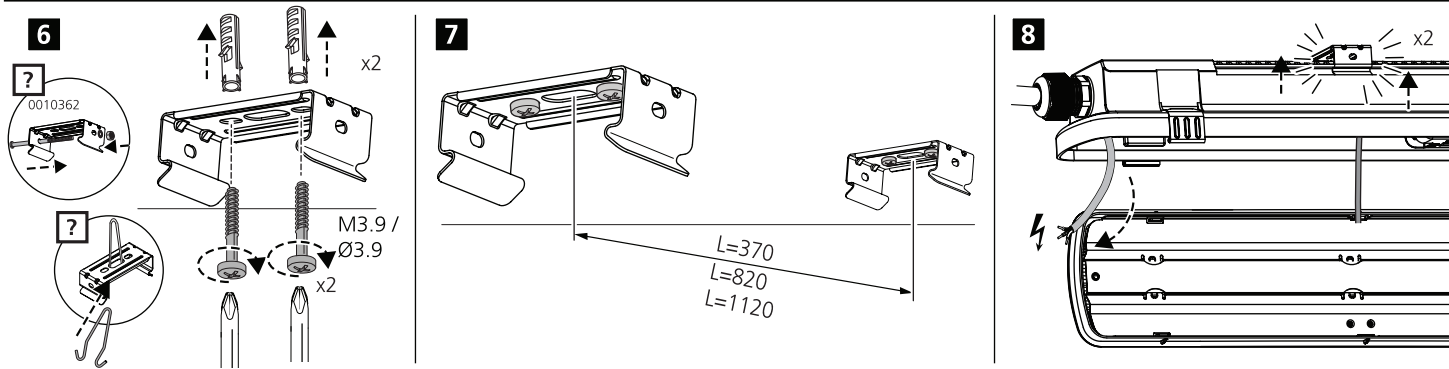
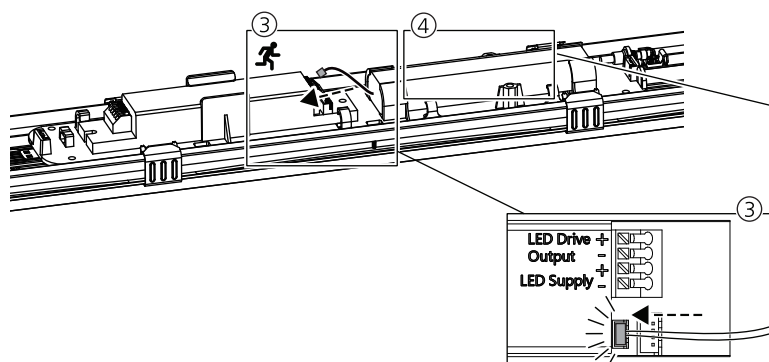


	L	H	W	F	E
1200mm	1200	88	89	820	200
1500mm	1500	88	89	1120	200

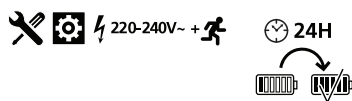
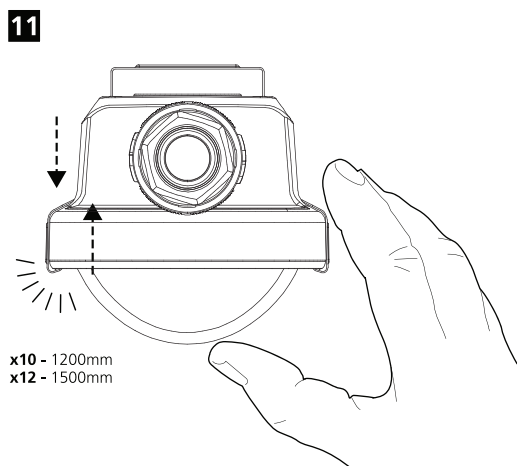




Factory settings

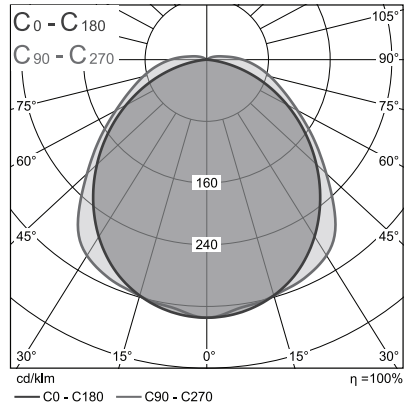
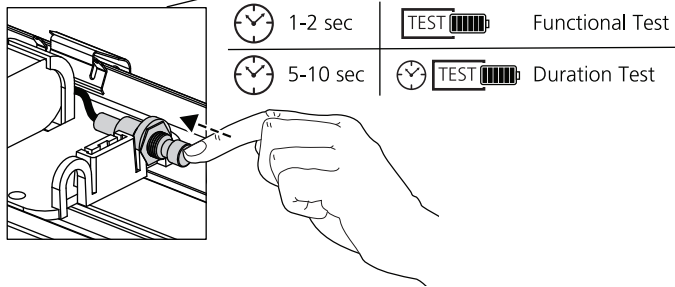
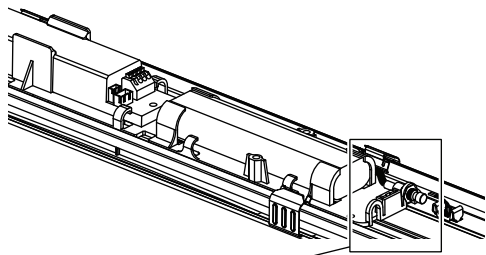


**CYANTRONIC**  
 Rechargeable Lithium Iron Phosphate Battery Pack  
**2IFpR19/66-2 4.0Ah 6.4V**  
 25.6 Wh  
 Battery Part No.: 0101A000133  
 Date of Installation: \_\_\_\_\_  
 Made in P.R.C.

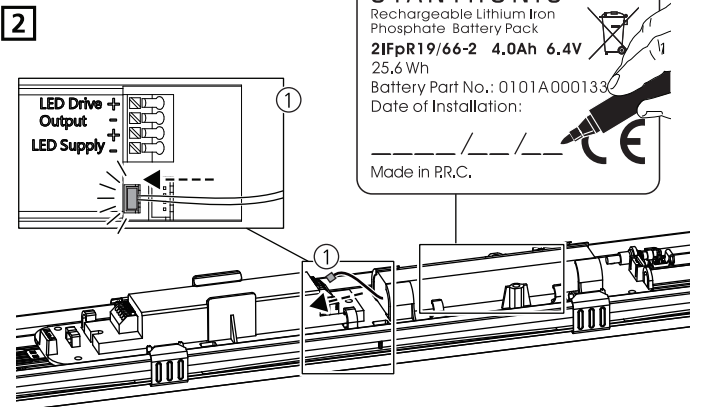
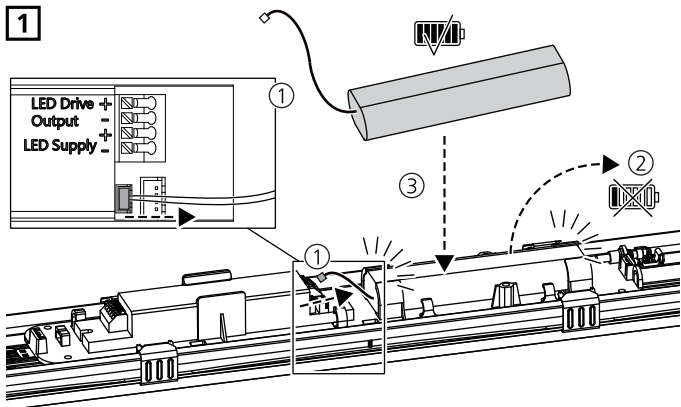


LED Colour	LED Indication Status	STATUS		DESCRIPTION
		Flashing	Steady	
Green	●	∞	-	Battery Connected and Charging
		0.1 sec	0.1 sec	Functional Test in Progress
		0.5 sec	0.5 sec	Duration Test in Progress
Red	●	∞	-	Battery Fault
		0.5 sec	0.5 sec	Battery Needs Replacing
		0.1 sec	0.1 sec	Lamp Fault
Red/Green	●	-	∞	Emergency Mode

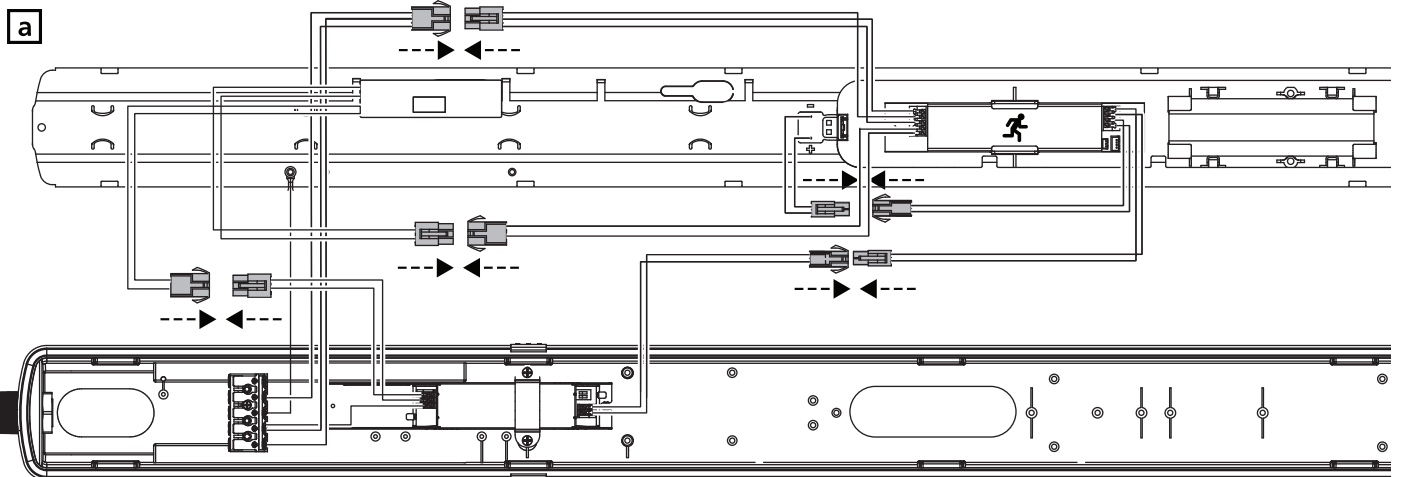
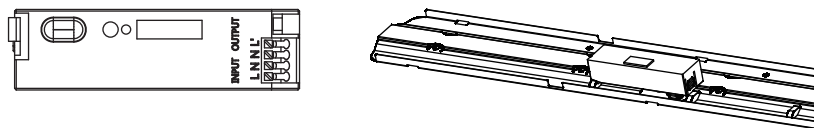
⚡ 220-240V- + ⚡



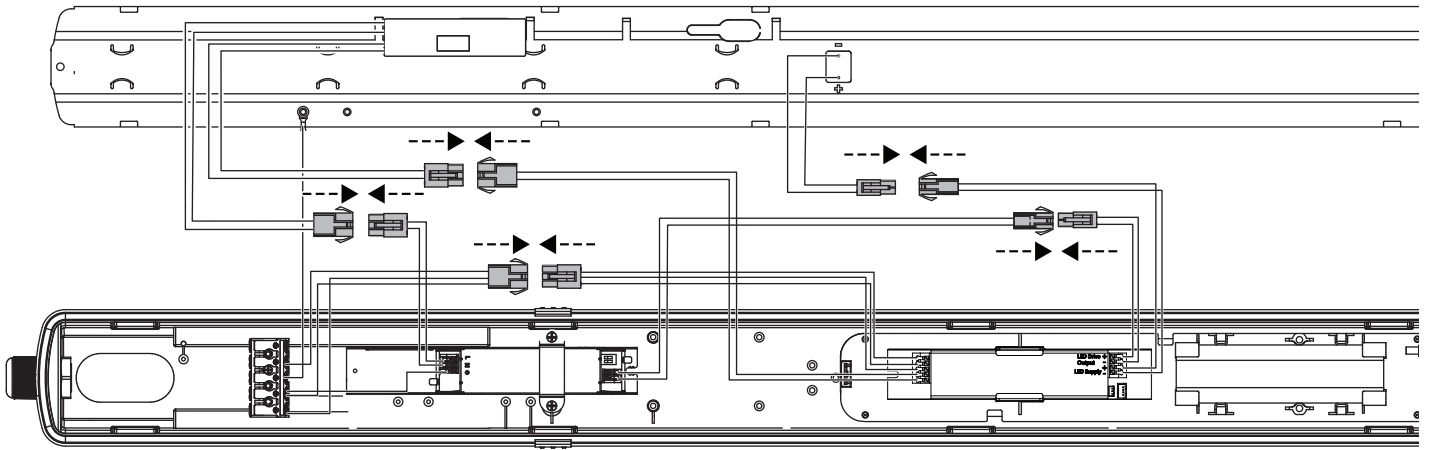
EM lm output = 800 lm





0010474 MW ON/OFF Kit IS16578 Non-dim ✓ DALI ✗



**b**



-   0010470 5x2.5 Throughwiring kit 1200 mm
- 0010471 5x2.5 Throughwiring kit 1500 mm
- 0010472 2x2.5 Throughwiring kit 1200 mm
- 0010473 2x2.5 Throughwiring kit 1500 mm

